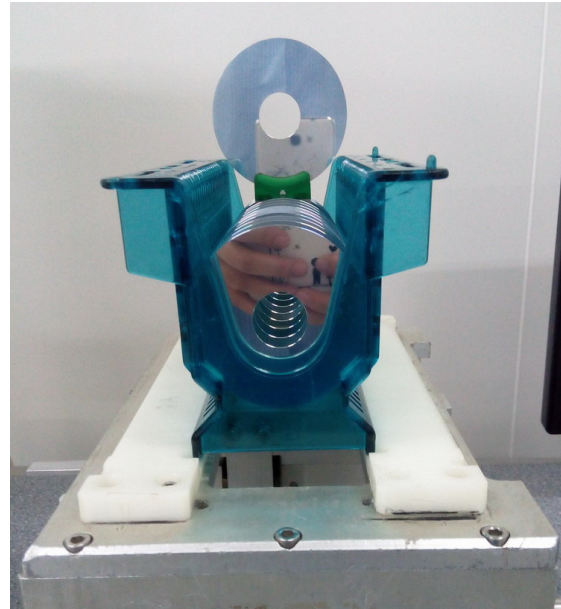
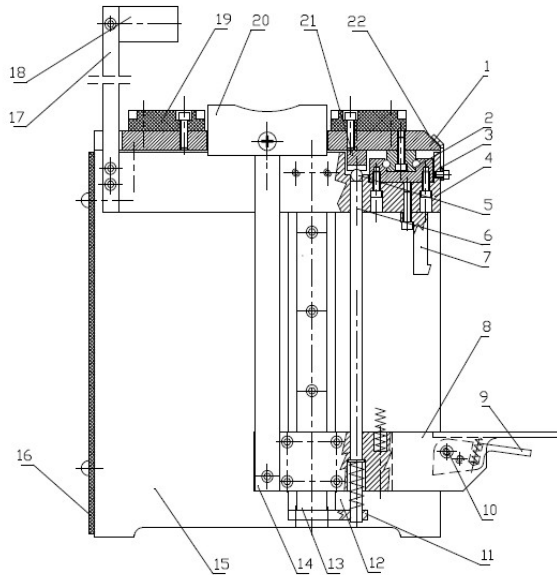


General Information

Single Disc Lifter Tool (Manual)



This single disc lifter tool design come in 2 difference OD size, namely 65mm and 95mm outer diameter (OD). The chassis hot shoe is suitable for common HDD shipping cassette. Operator could place the shipping cassette inside the hot shoe before lifted the disc in the cassette.

With the lifter tool, operator could move up any disc from the cassette without touching the adjacent disc.

The chassis of single disc lifter tool is built from aluminum alloy to ensure maximum structure strength. The contact lifter hot shoe is made of Delrin material.

Single Disc Lifter Tool

Features

- 2 unique design for either OD=95mm or OD=65mm substrate
- Aluminum alloy structure to ensure structure strength. Delrin material ensures the lifter will not cause damage to the substrate.
- Locking mechanism to provide the lifter able to hold at the highest point.
- Engrave 1-25 position on the chassis surface to synchronize with every cassette slot.

Maxwaytec Engineering Sdn. Bhd. is a Malaysia company providing engineering solution for industry application. We have intense tooling design and fabrication ability for providing customer suitable fixtures and tools.



28, 1st Floor, Persiaran Mahsuri 1/2,
Sunway Tunas, 11900 Bayan Lepas, Penang, Malaysia
Email: clchuah@maxwaytec.com

Feel free **contact Maxwaytec Engineering**, and we are here to serve you better.